

6

5

4

3

2

1

CHANGE	MARKS	YYYY/MM/DD	REF NO	DESCRIPTION	SGN	APP
	△					
	△					
	△					
	△					
	△					

NV3120 NAVI BOARD

Ver 0.1

D

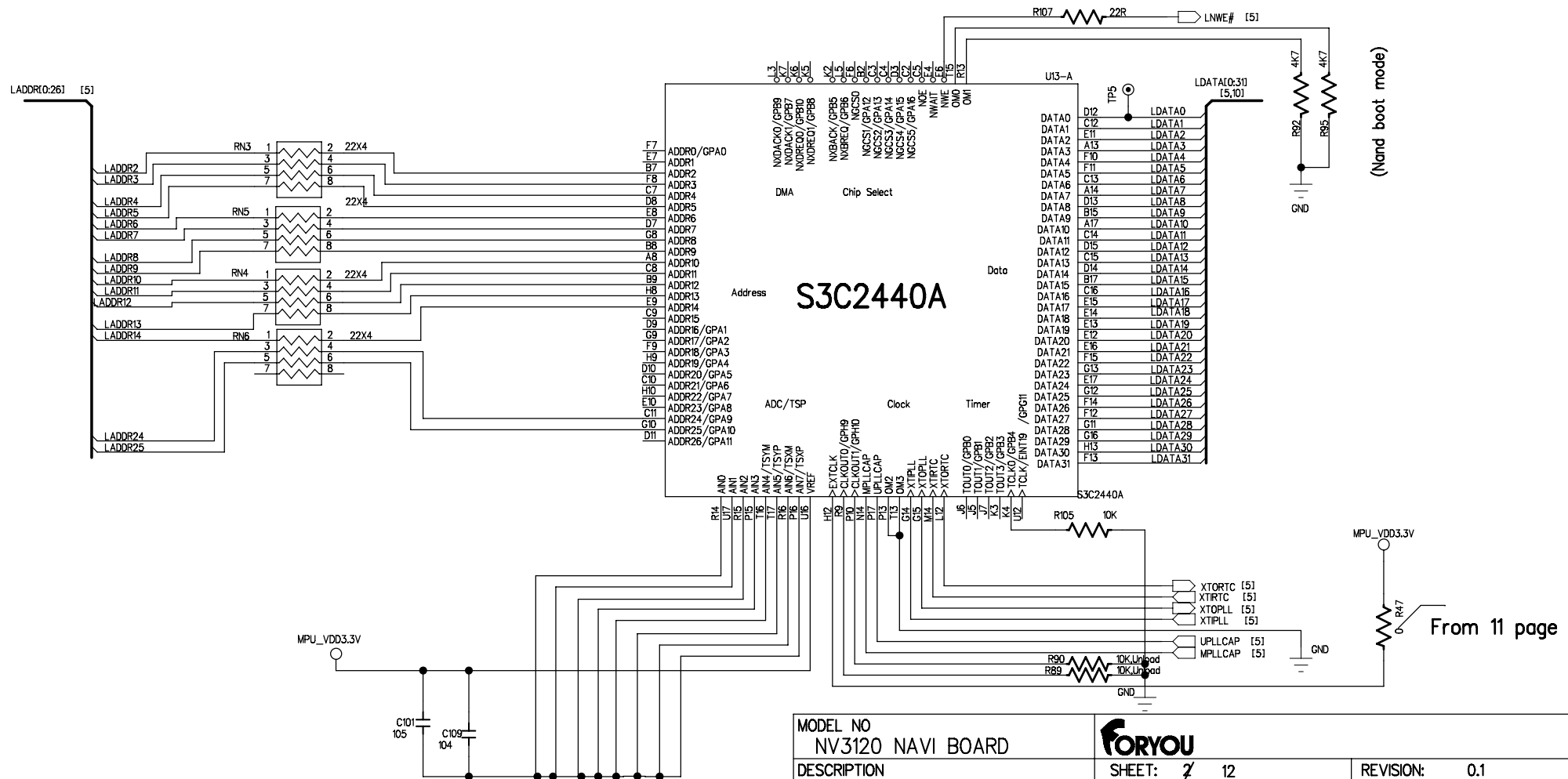
C

B

A

MODEL NO NV3120 NAVI BOARD	FORYOU			
Revision History	SHEET: 1 / 12		REVISION: 0.1	
	DRAWN BY	CHECKED BY	TECHNICS BY	APPROVED BY
	zhangzhaolin			mo xiangui
CODE NO: NV-3120DG-15010224				

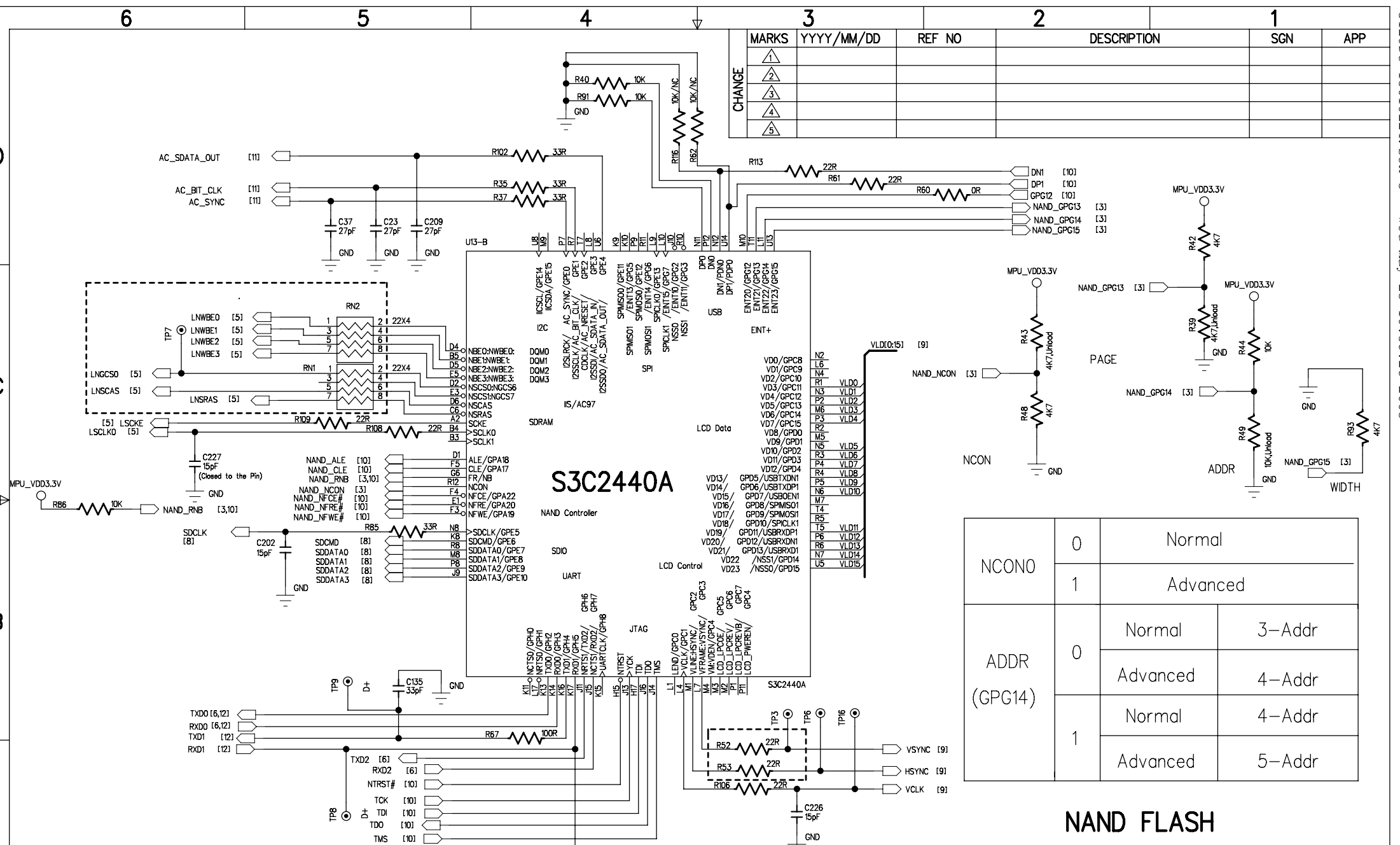
MARKS	YYYY/MM/DD	REF NO	DESCRIPTION	SGN	APP
△1					
△2					
△3					
△4					
△5					



MODEL NO NV3120 NAVI BOARD			SHEET: 2 / 12		REVISION: 0.1	
DESCRIPTION MPU-1 (ADDR/DATA/ADC/CLOCK/TMMER/CS)			DRAWN BY zhangzhaolin	CHECKED BY	TECHNICS BY	APPROVED BY
CODE NO: NV-3120DG-15010224					zhangzhaolin	

From 11 page

MARKS	YYYY/MM/DD	REF NO	DESCRIPTION	SGN	APP
△					
△					
△					
△					

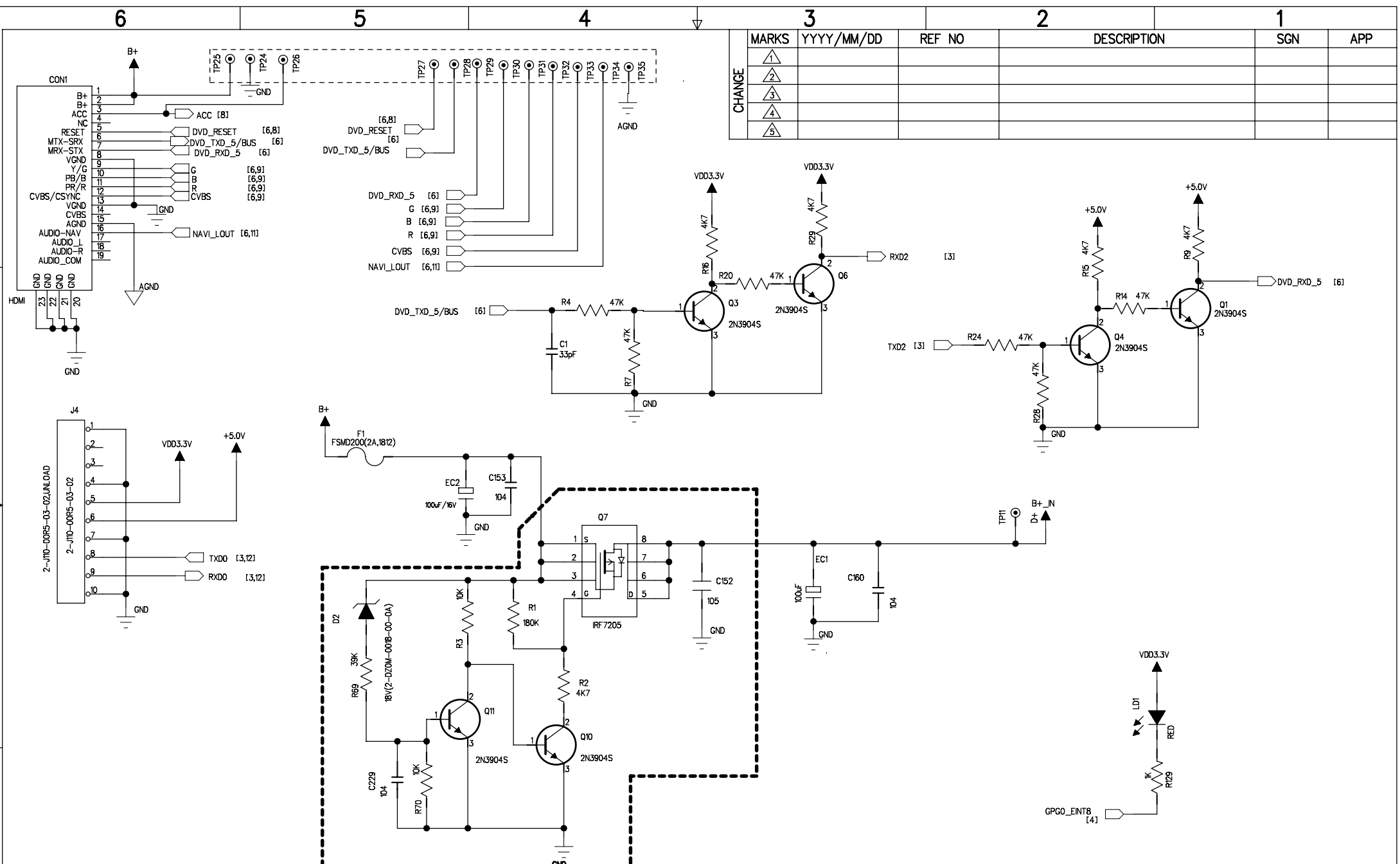


NCON0	0	Normal	
	1	Advanced	
ADDR (GPG14)	0	Normal	3-Addr
		Advanced	4-Addr
	1	Normal	4-Addr
		Advanced	5-Addr

NAND FLASH

MODEL NO NV3120 NAVI BOARD				
DESCRIPTION MPU-2				
(LCD/JTAG/UART/USB/NAND/SD/UART/SP/AC97/SORAM) CODE NO: NV-3120DG-15010224	SHEET: 3/ 12	REVISION: 0.1		
	DRAWN BY	CHECKED BY	TECHNICS BY	APPROVED BY
	zhangzhaolin			mo xiangui

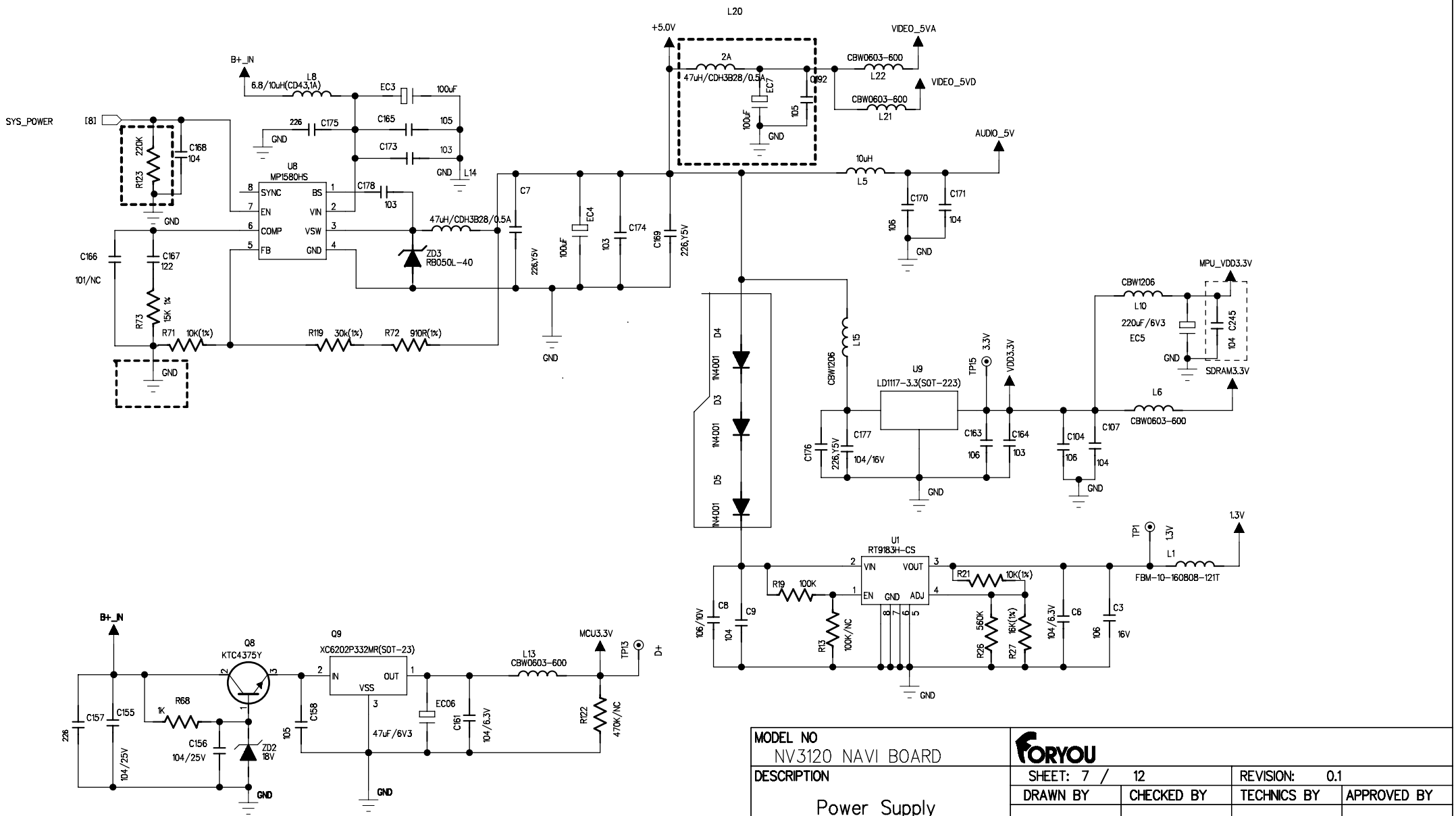
D
C
B
A



MARKS	YYYY/MM/DD	REF NO	DESCRIPTION	SGN	APP
△					
△					
△					
△					

MODEL NO NV3120 NAVI BOARD	FORYOU		SHEET: 6 / 12		REVISION: 0.1	
DESCRIPTION Ext. Interface			DRAWN BY zhangzhaolin	CHECKED BY	TECHNICS BY	APPROVED BY mo xiangui
CODE NO: NV-3120DG-15010224						

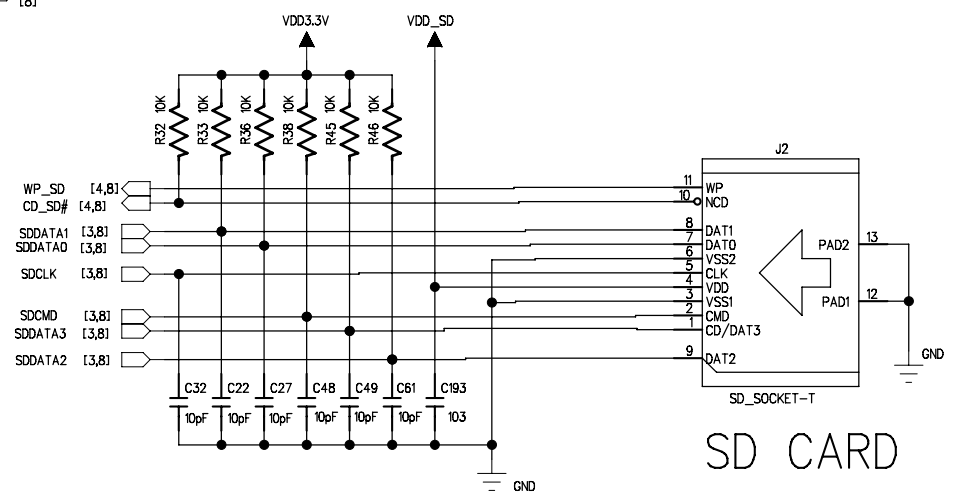
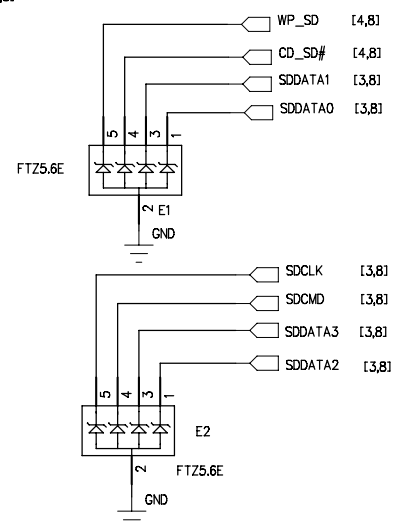
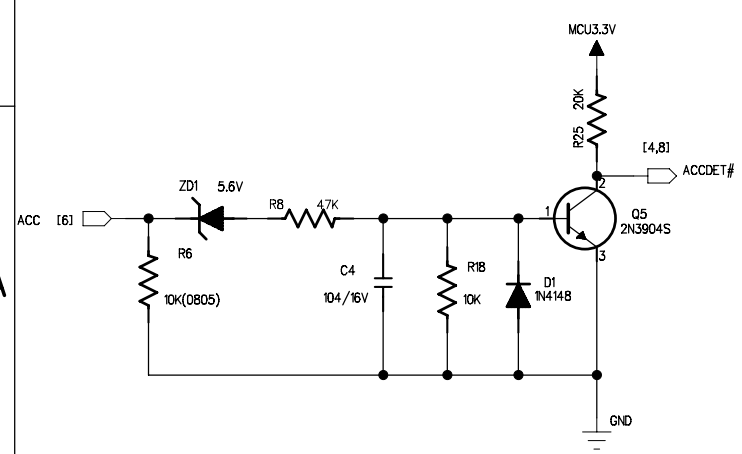
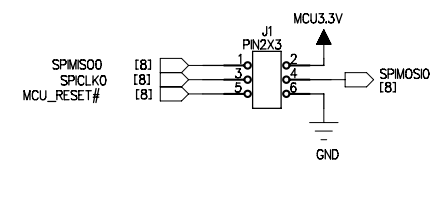
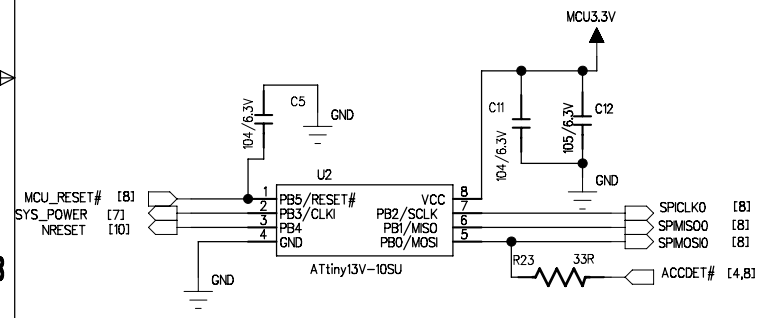
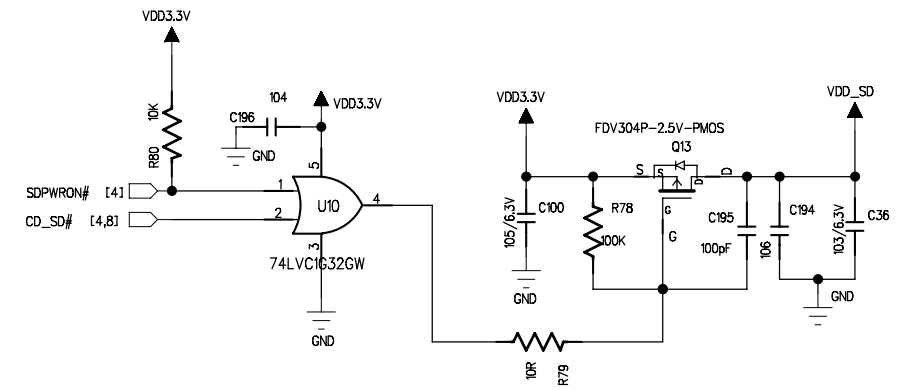
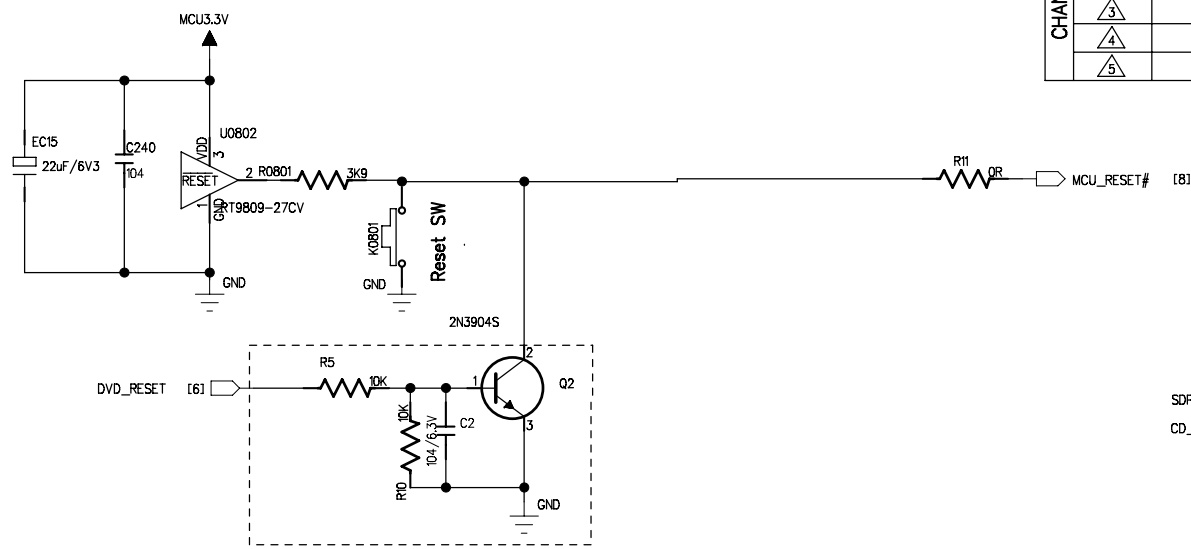
MARKS	YYYY/MM/DD	REF NO	DESCRIPTION	SGN	APP
△					
△					
△					
△					
△					



MODEL NO NV3120 NAVI BOARD			SHEET: 7 / 12		REVISION: 0.1
DESCRIPTION Power Supply			DRAWN BY zhangzhaolin	CHECKED BY	TECHNICS BY
CODE NO: NV-3120DG-15010224					

MARKS	YYYY/MM/DD	REF NO	DESCRIPTION	SGN	APP
△1					
△2					
△3					
△4					
△5					

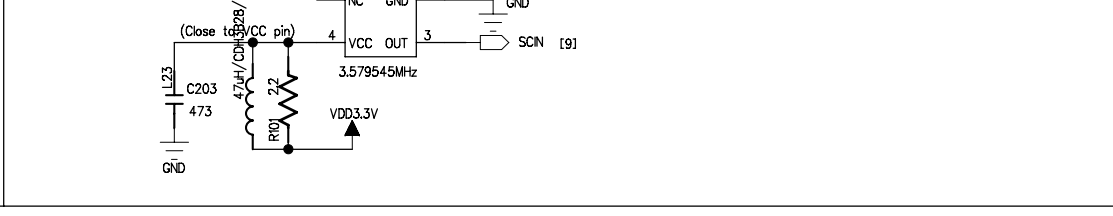
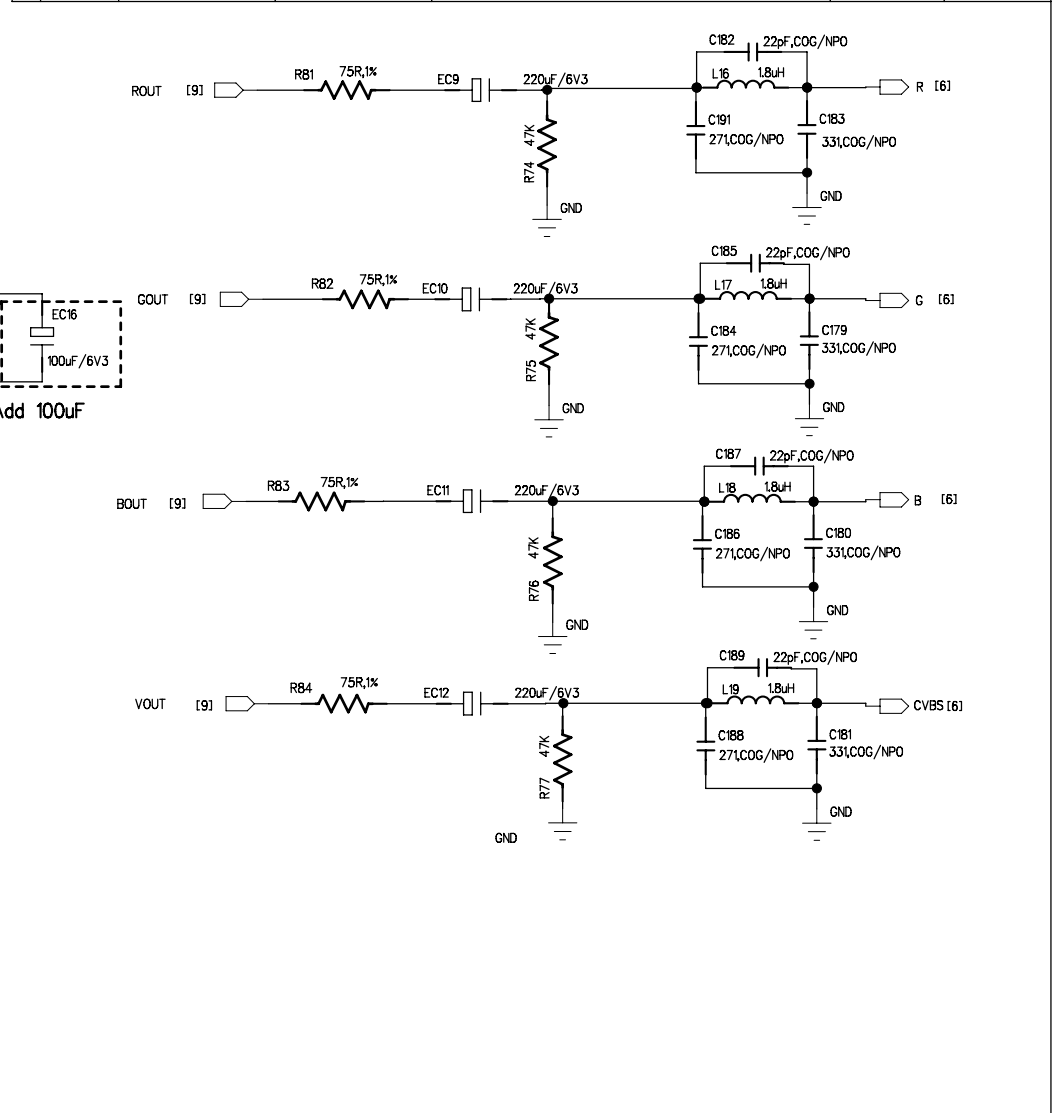
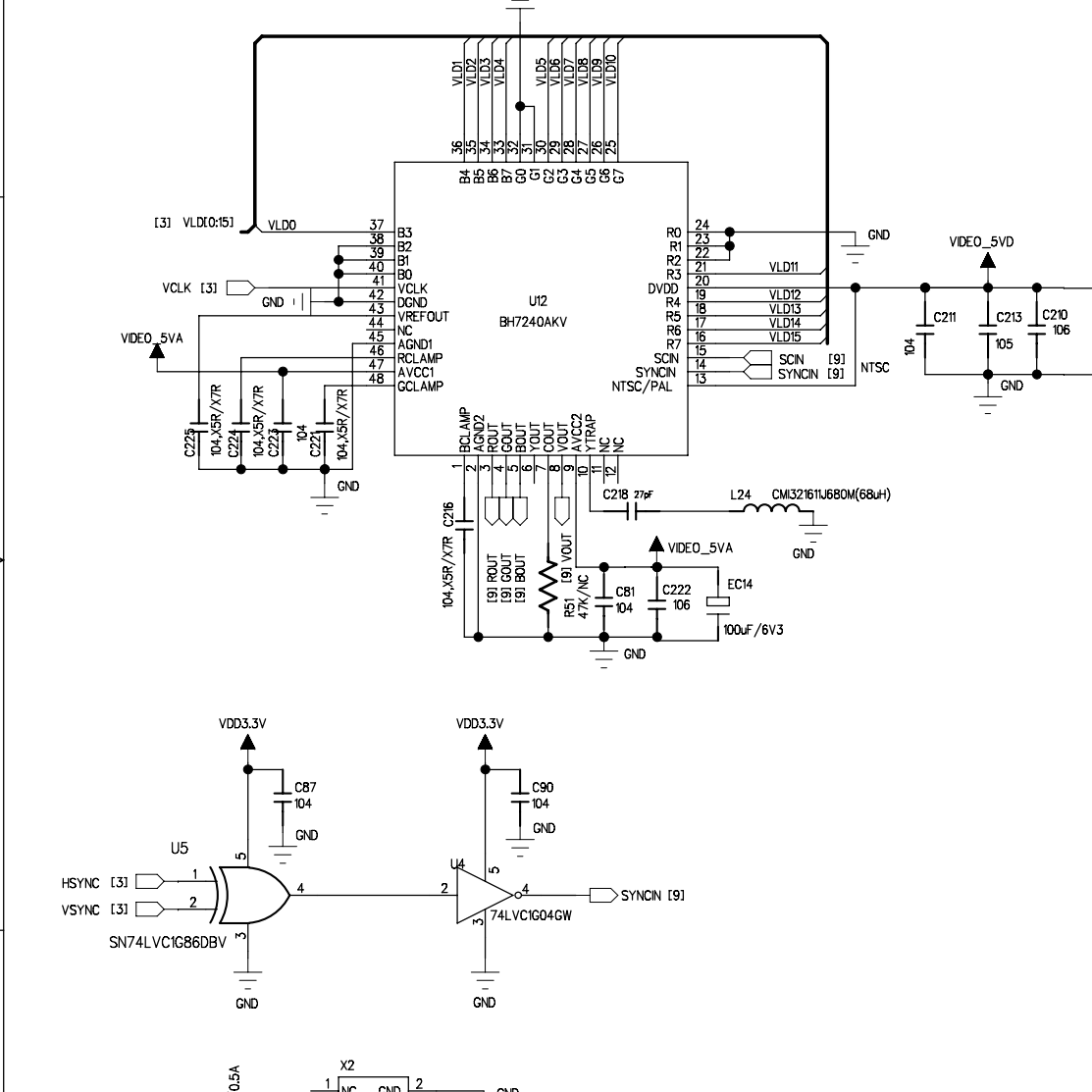
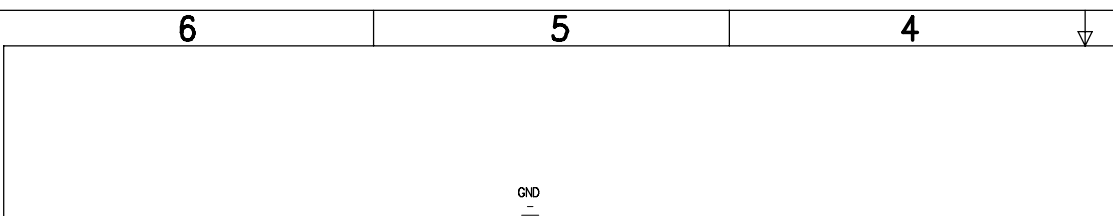
CHANGE



SD CARD

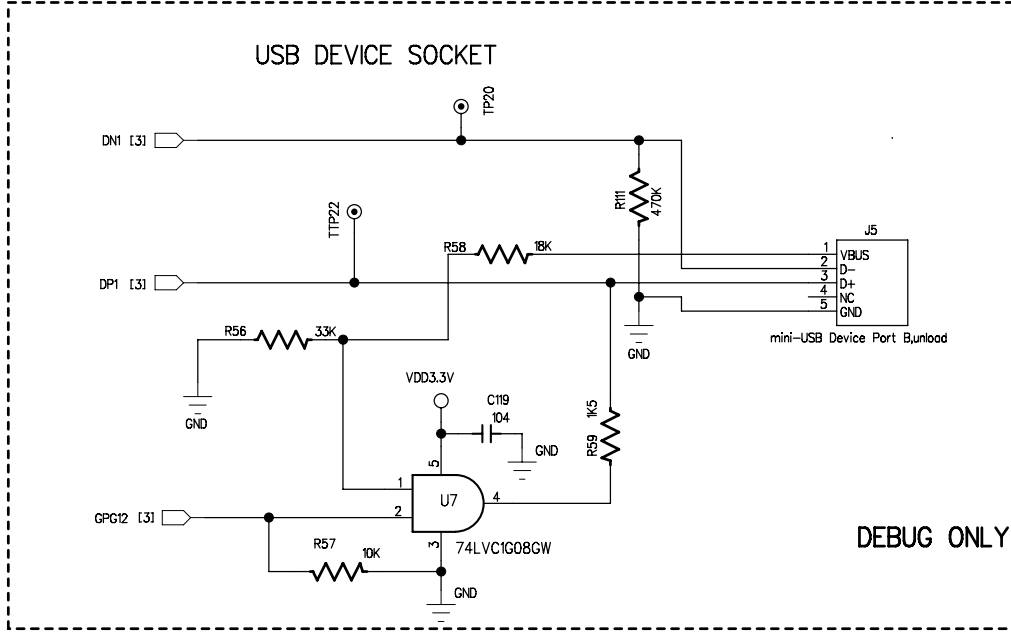
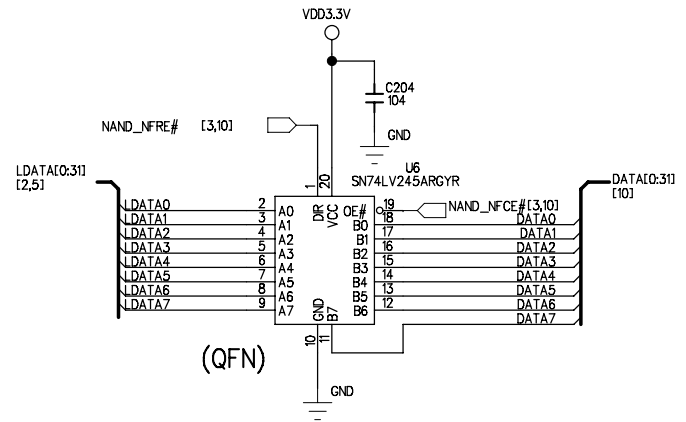
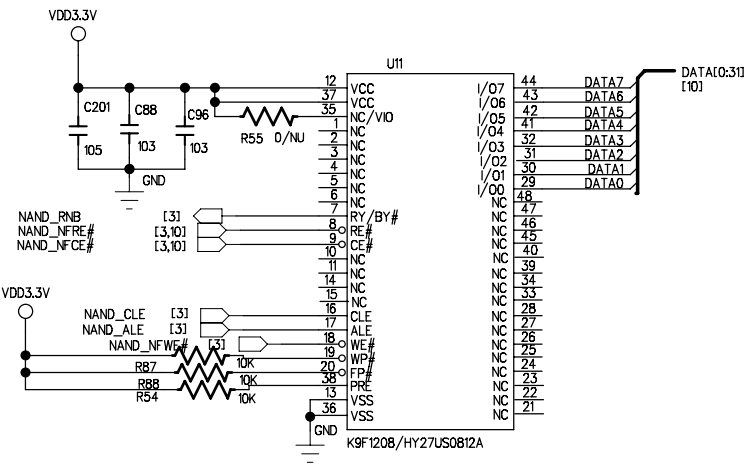
MODEL NO NV3120 NAVI BOARD			SHEET: 8/ 12		REVISION: 0.1
DESCRIPTION SD/USB			DRAWN BY zhangzhaolin	CHECKED BY	TECHNICS BY
CODE NO: NV-3120DG-15010224					

MARKS	YYYY/MM/DD	REF NO	DESCRIPTION	SGN	APP
△1					
△2					
△3					
△4					
△5					



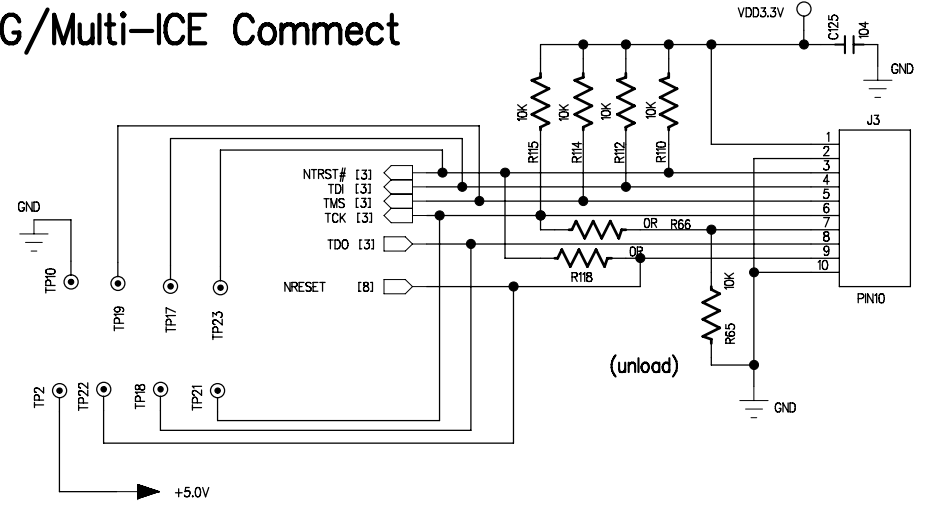
MODEL NO	NV3120 NAVI BOARD		
DESCRIPTION	ANALOG VIDEO		
CODE NO:	NV-3120DG-15010224		
FORYOU		SHEET: 9 / 12	REVISION: 0.1
		DRAWN BY	CHECKED BY
zhangzhaolin			
			mo xiangui

MARKS	YYYY/MM/DD	REF NO	DESCRIPTION	SGN	APP
△					
△					
△					
△					
△					



DEBUG ONLY

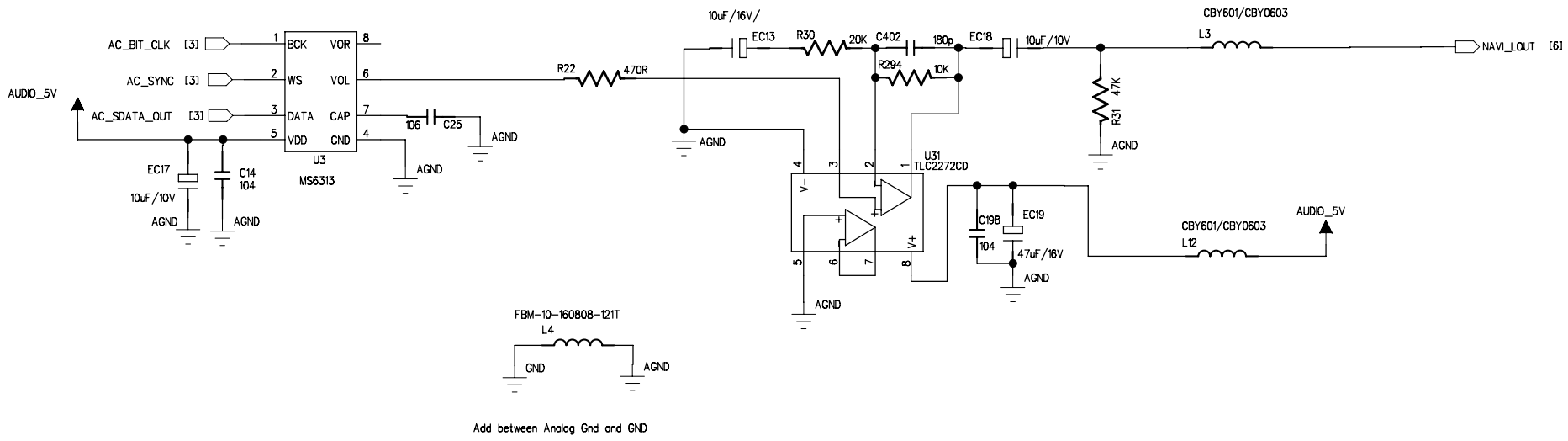
JTAG/Multi-ICE Connect



(unload)

MODEL NO NV3120 NAVI BOARD			SHEET: 10 12	REVISION: 0.1
DESCRIPTION Flash + Debug			DRAWN BY zhangzhaolin	CHECKED BY
CODE NO: NV-3120DG-15010224				

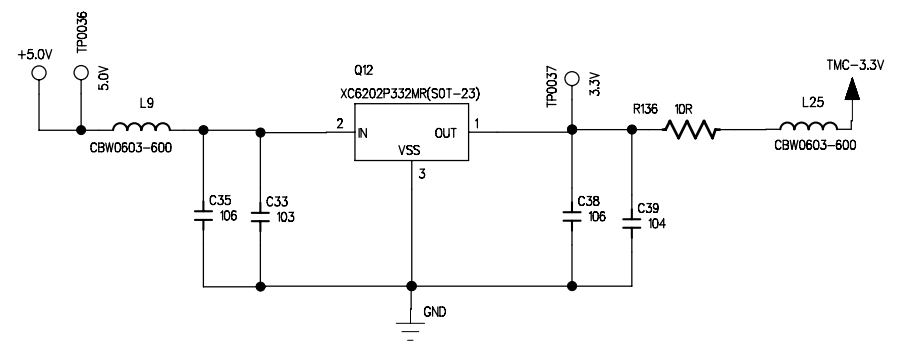
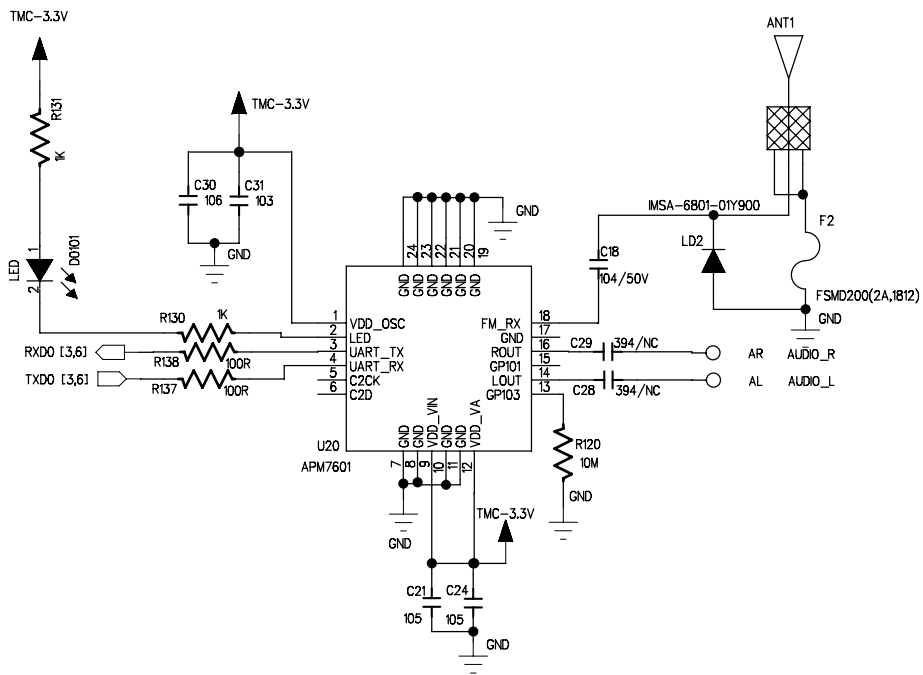
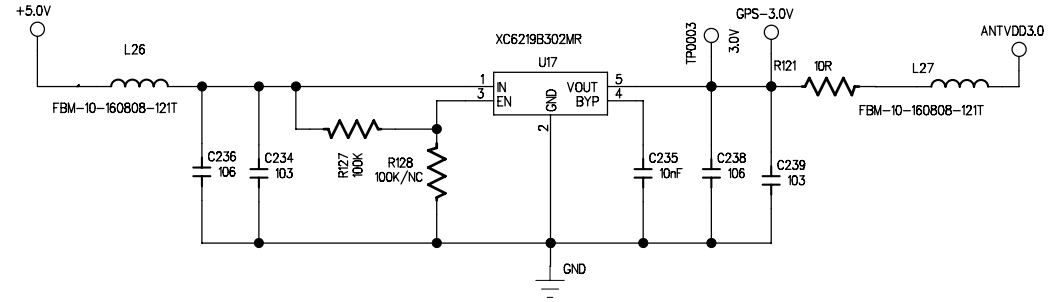
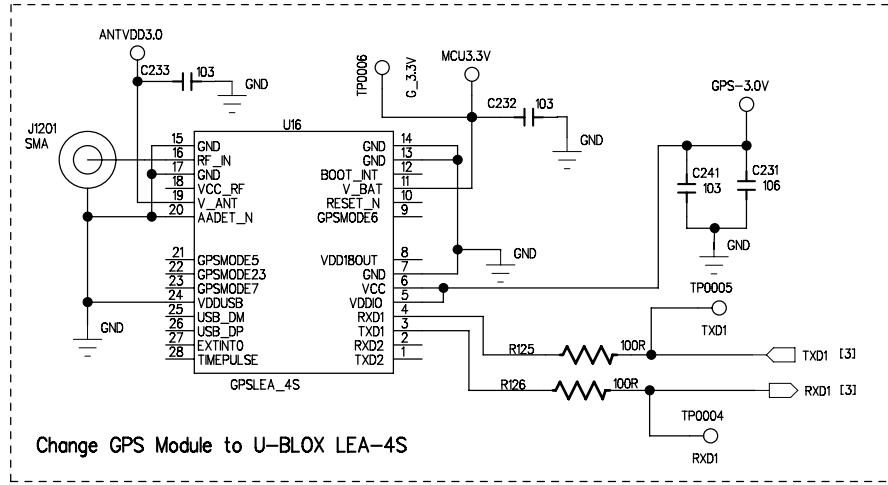
CHANGE	MARKS	YYYY/MM/DD	REF NO	DESCRIPTION	SGN	APP
	△1					
	△2					
	△3					
	△4					
△5						



Add between Analog Gnd and GND

MODEL NO NV3120 NAVI BOARD				
DESCRIPTION AC97 AUDIO CODEC				
CODE NO: NV-3120DG-15010224	DRAWN BY zhangzhaolin	CHECKED BY	TECHNICS BY	APPROVED BY mo xiangui

MARKS	YYYY/MM/DD	REF NO	DESCRIPTION	SGN	APP
△1					
△2					
△3					
△4					
△5					



MODEL NO NV3120 NAVI BOARD				
DESCRIPTION GPS/TMC				
CODE NO: NV-3120DG-15010224	SHEET: 12/ 12	REVISION: 0.1		
	DRAWN BY zhang zhaolin	CHECKED BY	TECHNICS BY	APPROVED BY