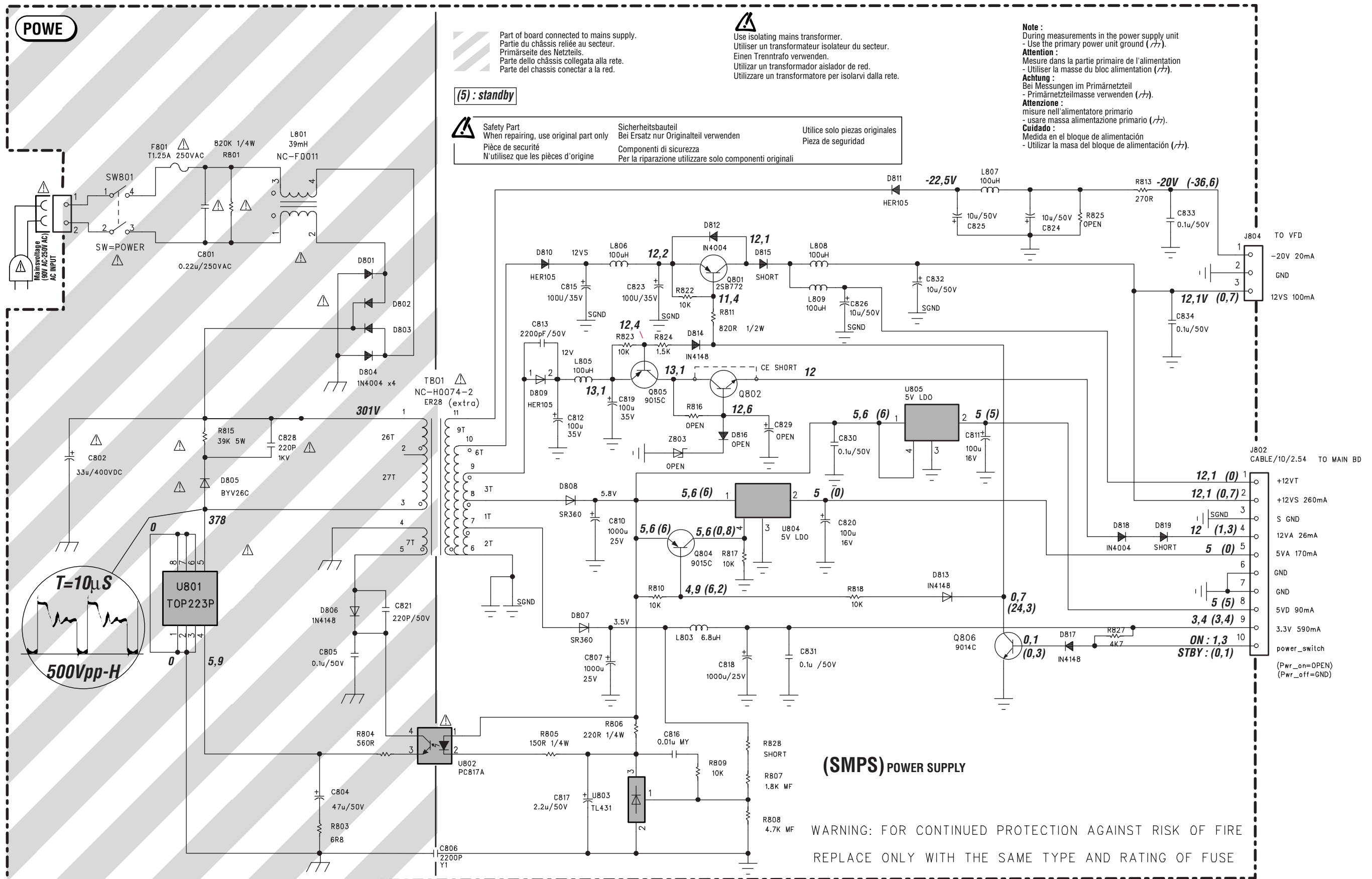
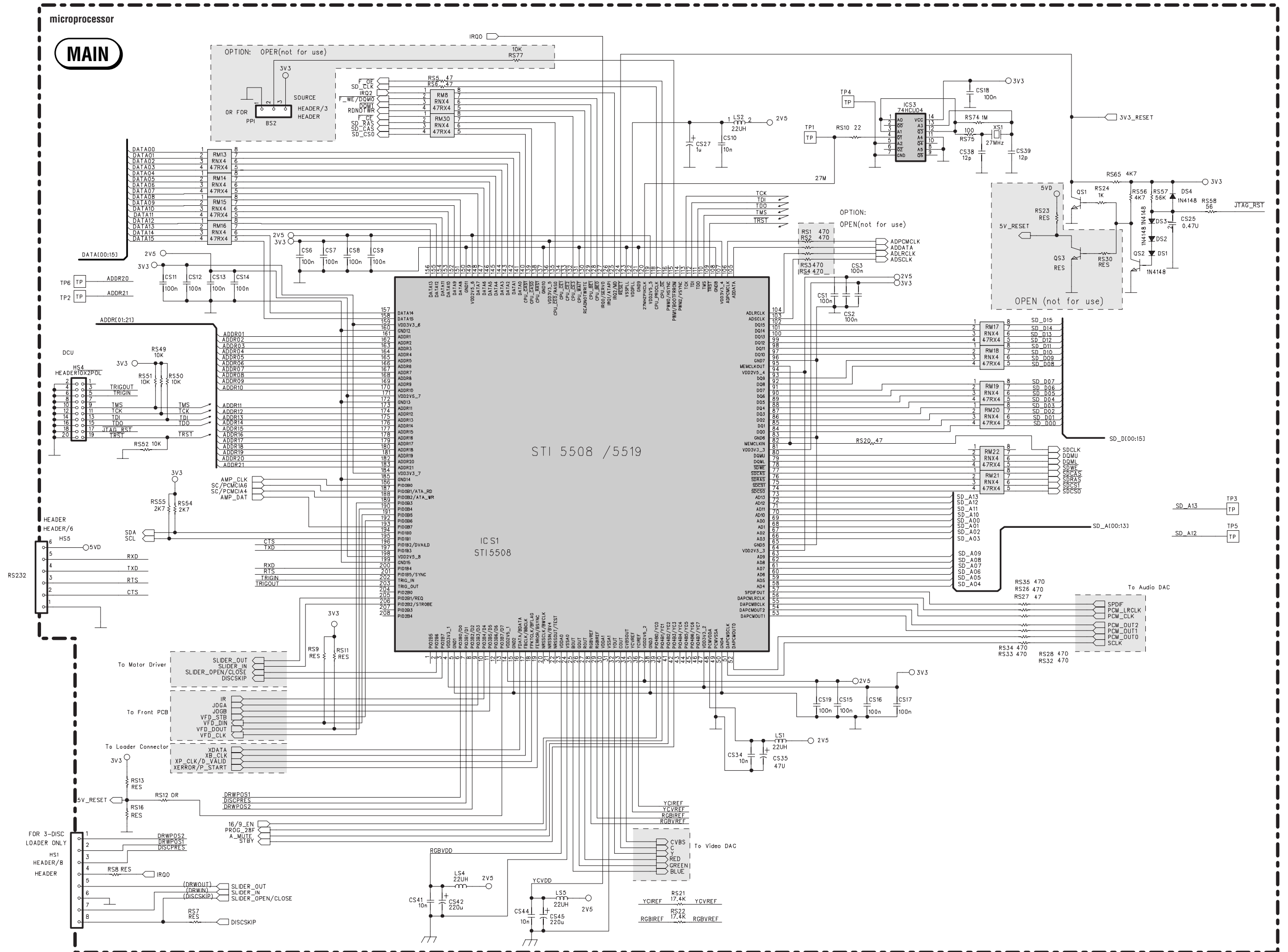


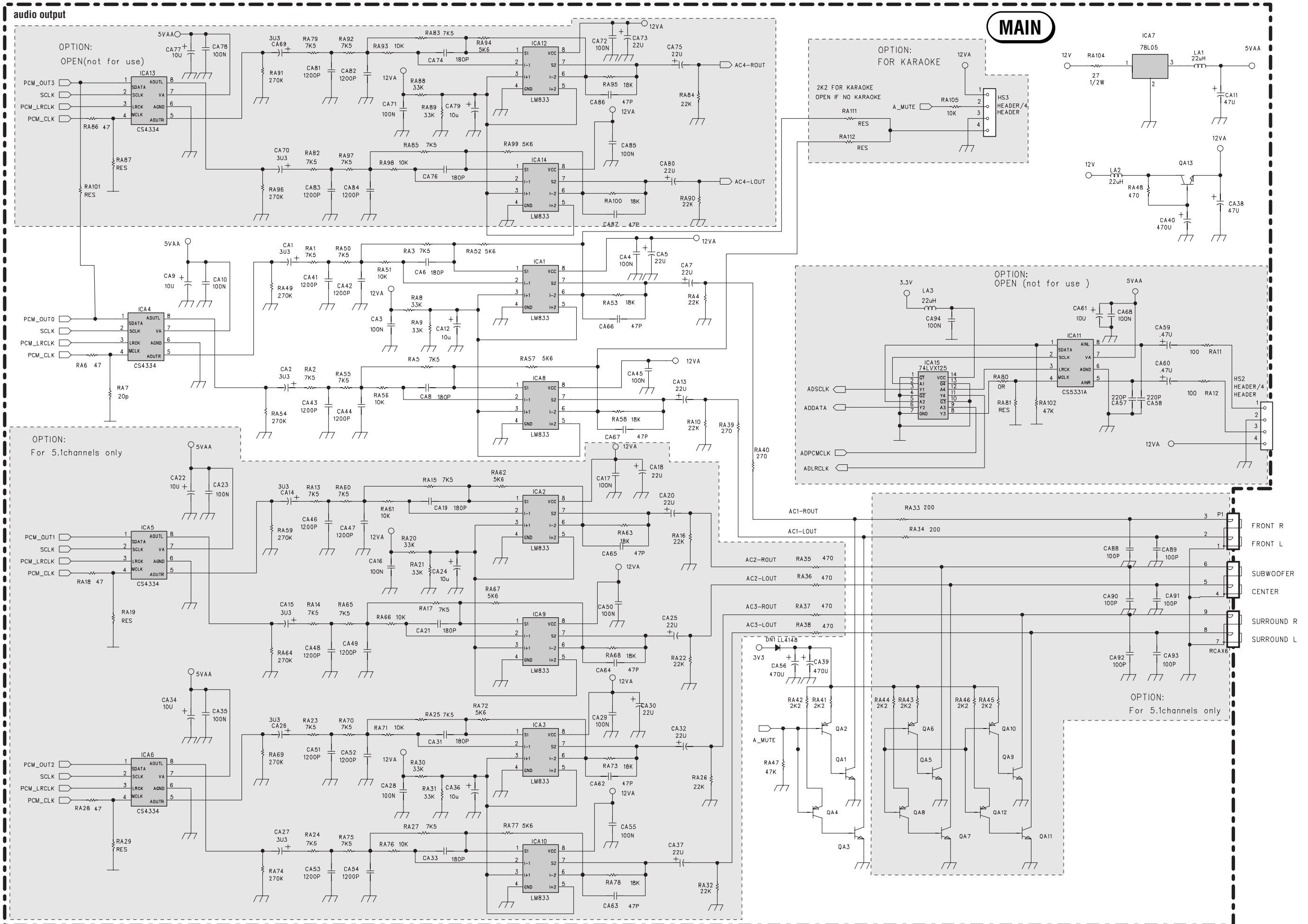
POWER SUPPLY SCHEMATIC DIAGRAM - SCHEMA DES CIRCUITS D'ALIMENTATIONS - SCHALTBILD NETZTEIL - SCHEMA DEI CIRCUITI DI ALIMENTAZIONE - ESQUEMA DE LOS CIRCUITOS DE ALIMENTACIÓN

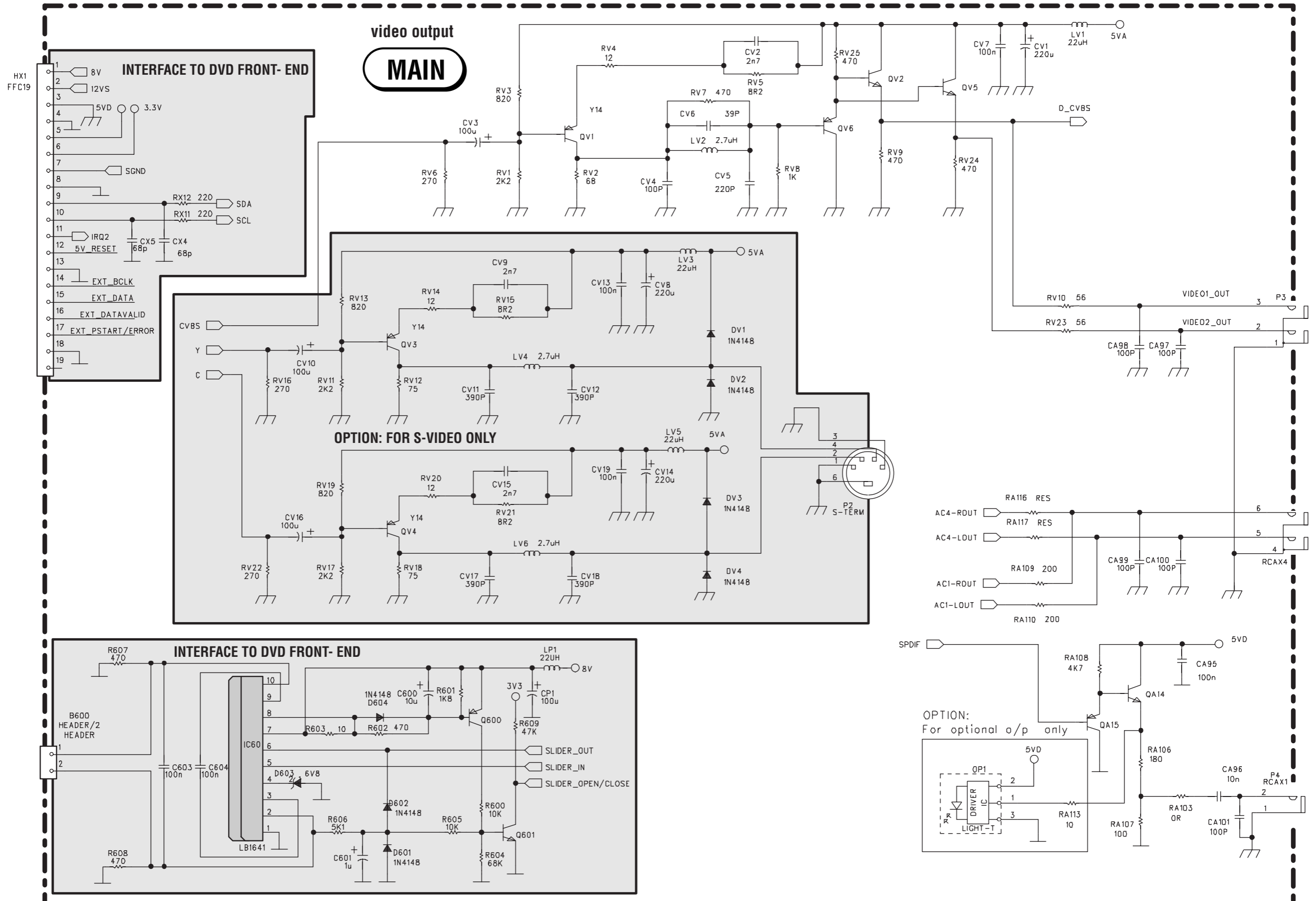


MAIN SCHEMATIC DIAGRAM - SCHEMA DE LA PLATINE PRINCIPALE - SCHALTBILD HAUPTPLATINE - SCHEMA DELLA PIASTRA PRINCIPALE- ESQUEMA DE LA PLATINA PRINCIPAL



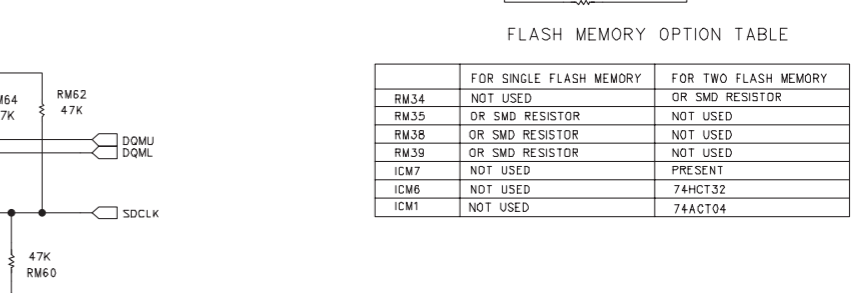
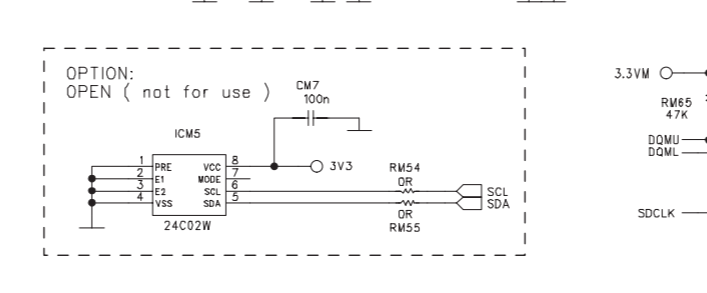
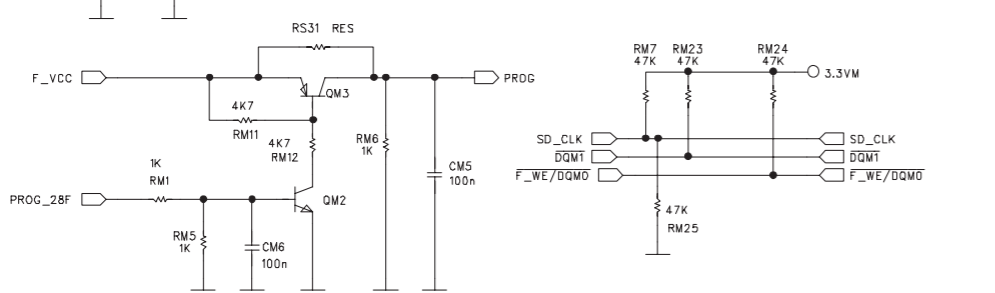
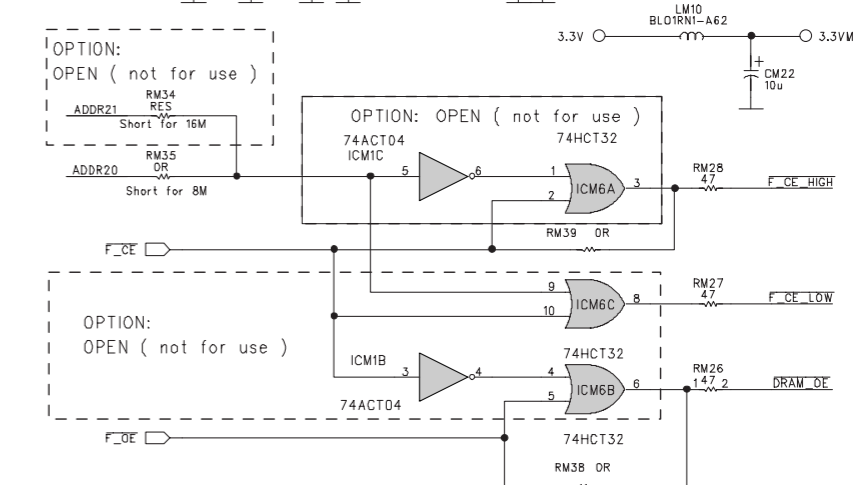
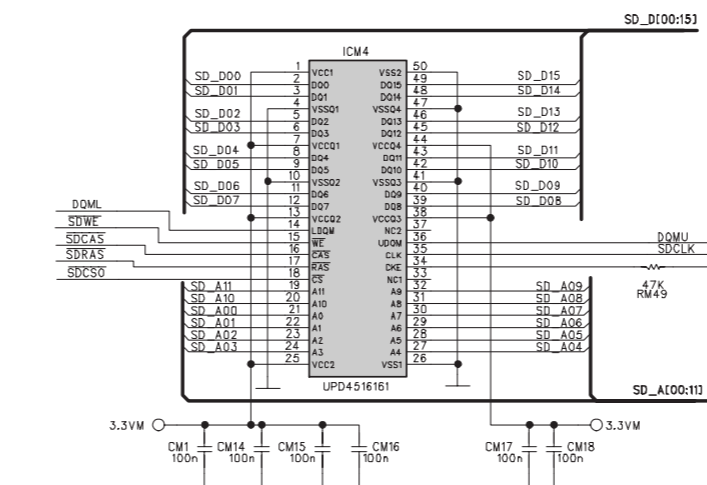
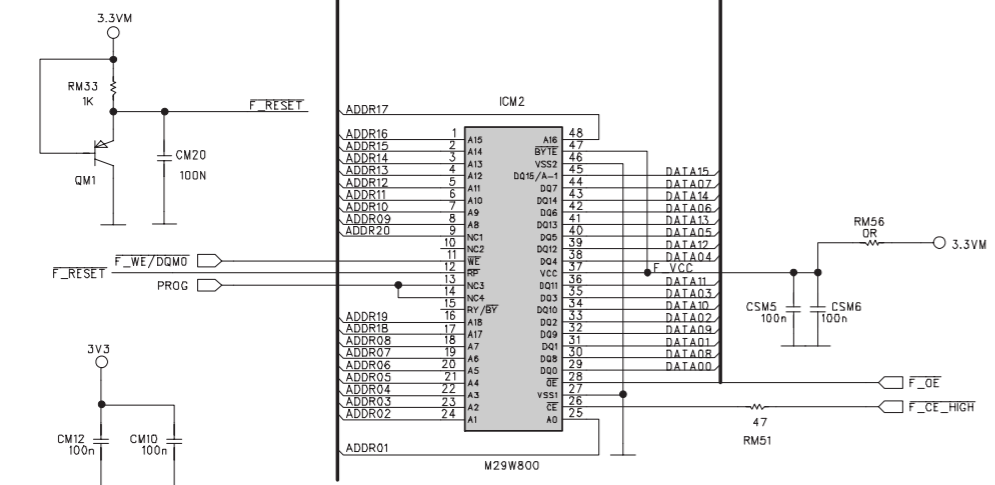
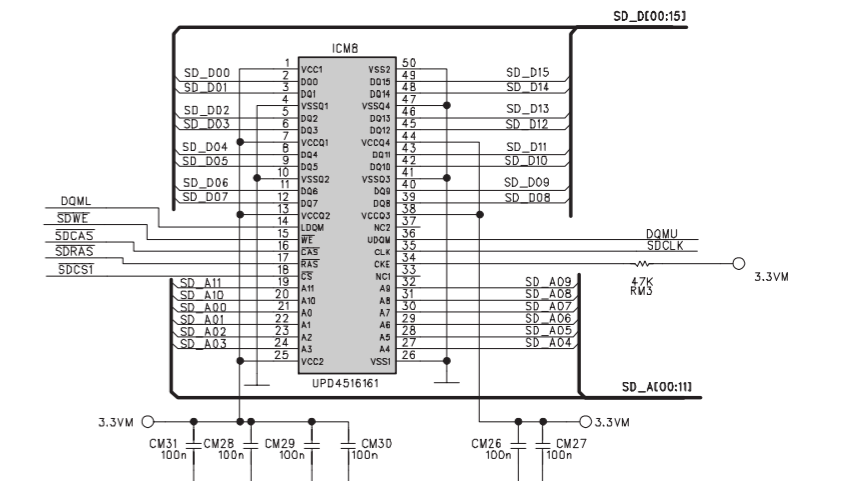
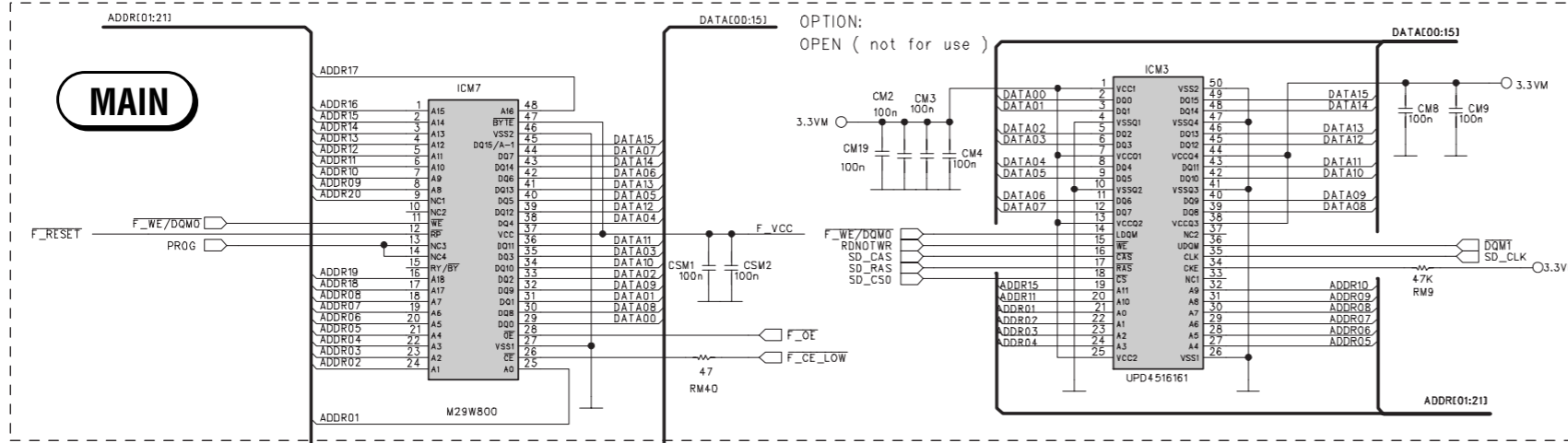
MAIN SCHEMATIC DIAGRAM - SCHEMA DE LA PLATINE PRINCIPALE - SCHALTBILD HAUPTPLATINE - SCHEMA DELLA PIASTRA PRINCIPALE - ESQUEMA DE LA PLATINA PRINCIPAL





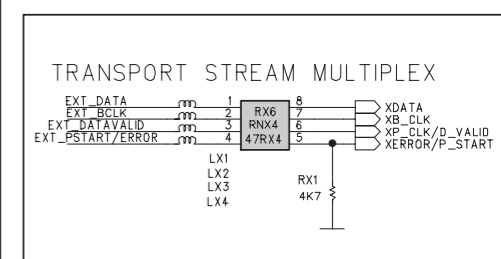
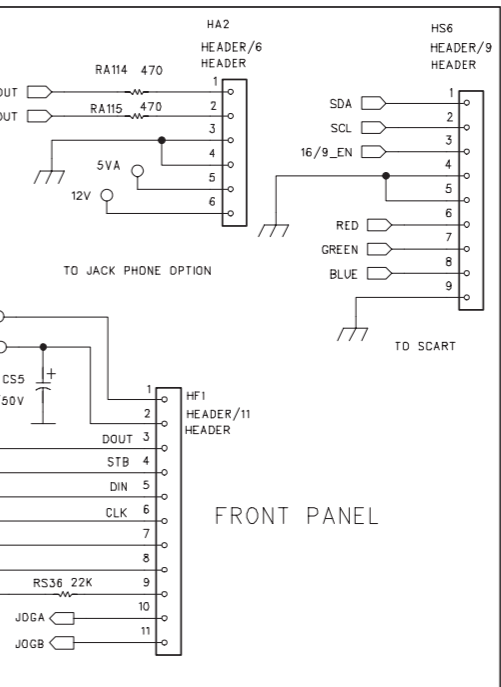
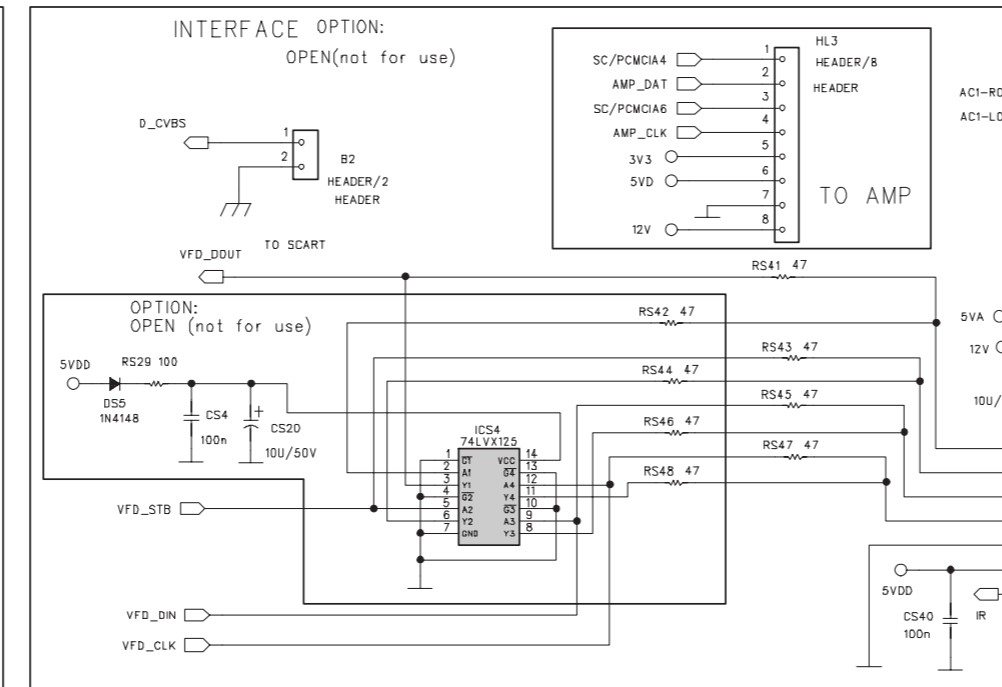
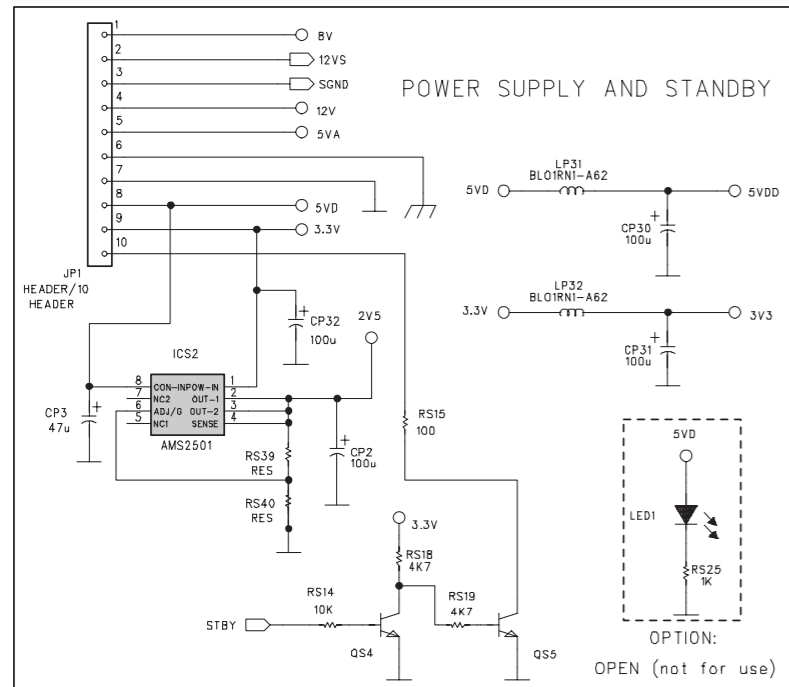
MAIN SCHEMATIC DIAGRAM - SCHEMA DE LA PLATINE PRINCIPALE - SCHALTBILD HAUPTPLATINE - SCHEMA DELLA PIASTRA PRINCIPALE- ESQUEMA DE LA PLATINA PRINCIPAL

memory

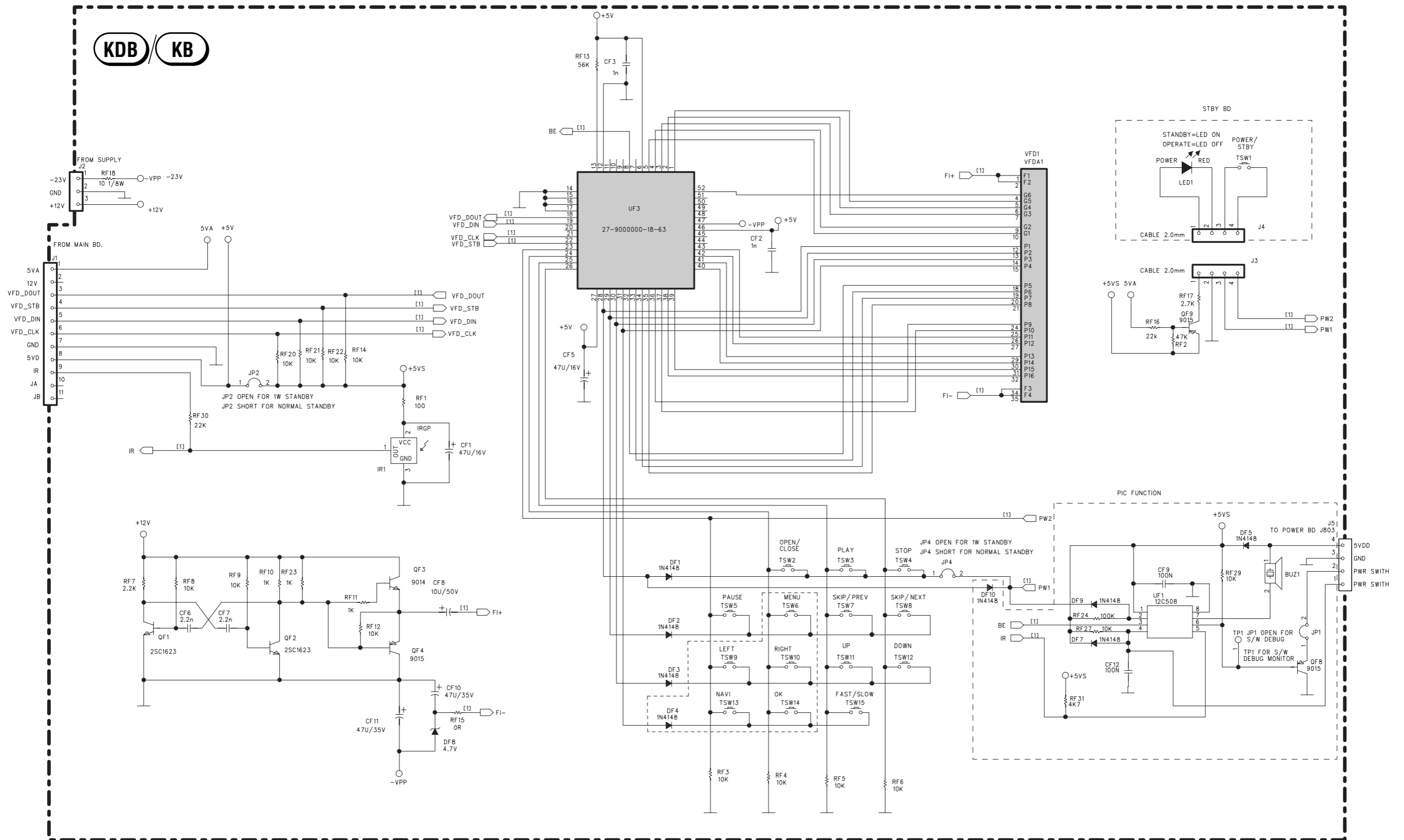


FLASH MEMORY OPTION TABLE

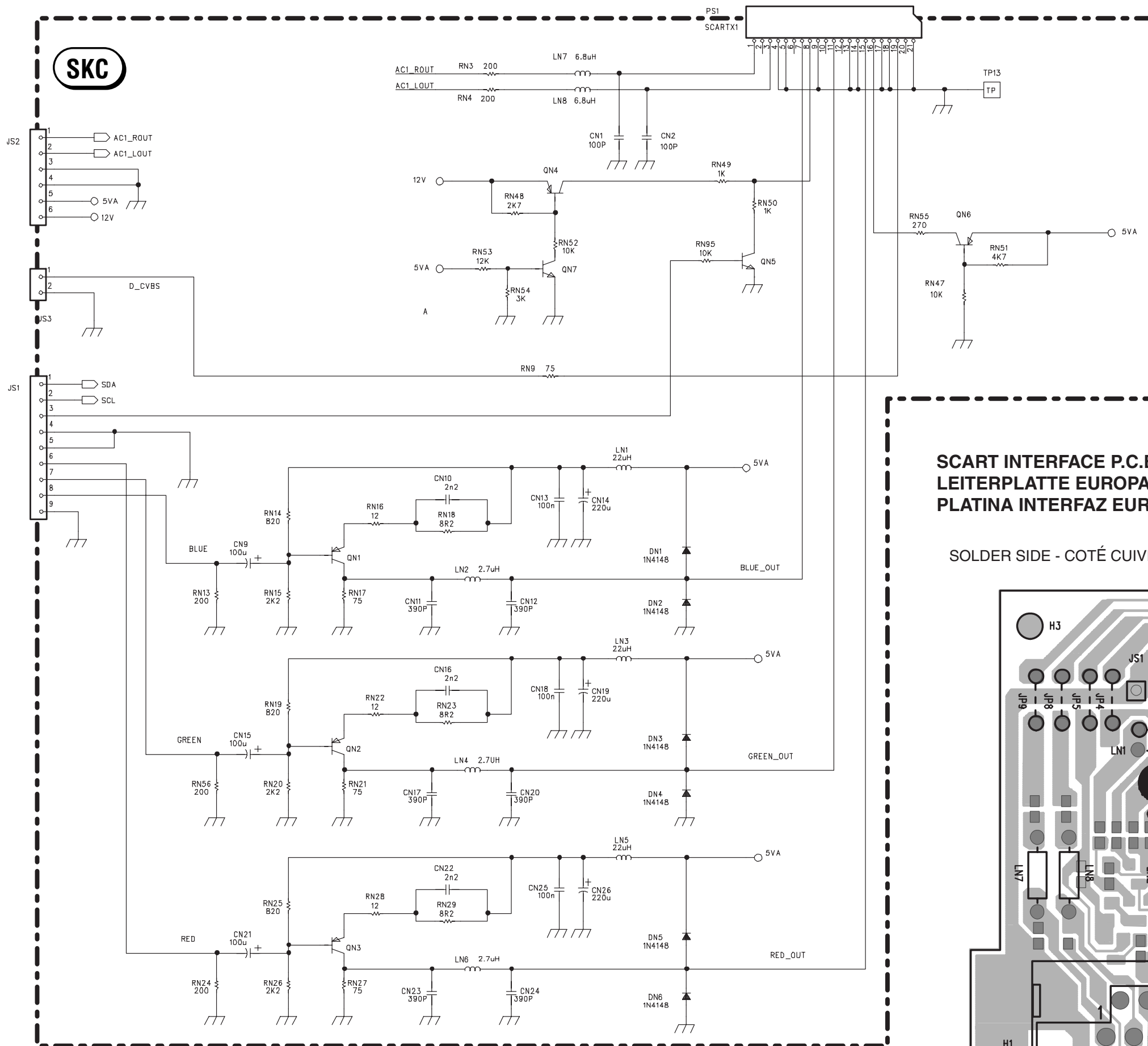
	FOR SINGLE FLASH MEMORY	FOR TWO FLASH MEMORY
RM34	NOT USED	OR SMD RESISTOR
RM35	OR SMD RESISTOR	NOT USED
RM38	OR SMD RESISTOR	NOT USED
RM39	OR SMD RESISTOR	NOT USED
ICM7	NOT USED	PRESENT
ICM6	NOT USED	74HCT32
ICM1	NOT USED	74ACT04



KEYBOARD SCHEMATIC DIAGRAM - SCHEMA DES CIRCUITS COMMANDES - SCHALTBILD BEDIENTEIL - SCHEMA DEI CIRCUITI TASTIERA - ESQUEMA DE LOS CIRCUITOS MANDOS



SCART INTERFACE SCHEMATIC DIAGRAM - SCHEMA DE L'INTERFACE PERITELEVISION - SCHALTBILD EUROPA NORMBUCHSE - SCHEMA DELLA PRESA PERITEL - ESQUEMA INTERFAZ EUROTOMA



SCART INTERFACE P.C.B. - PLATINE INTERFACE PERITELEVISION - LEITERPLATTE EUROPA NORMBUCHSE - PIASTRA PRESA PERITEL - PLATINA INTERFAZ EUROTOMA

SOLDER SIDE - COTÉ CUIVRE - LÖTSEITE - LATO SALDATURE - LADO DEL COBRE

